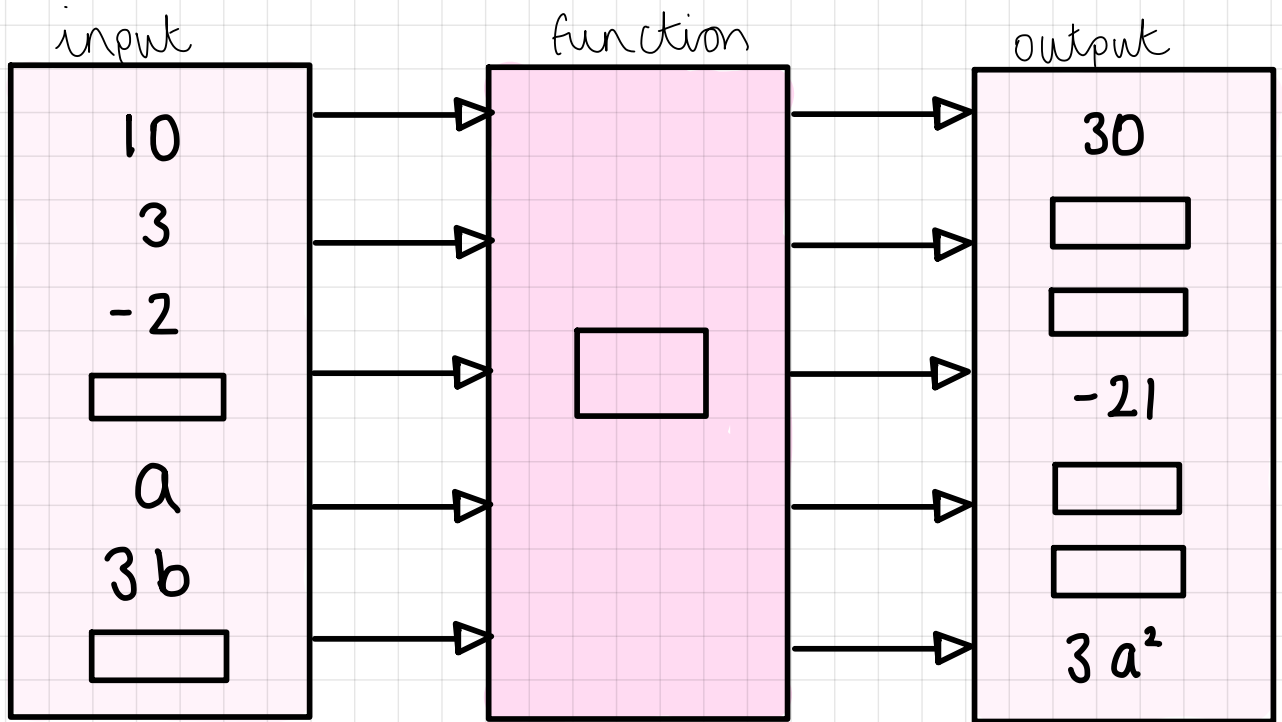


EXIT TICKET - FINDING FUNCTIONS

1) Fill in the gaps:



EXIT TICKET - FINDING FUNCTIONS

1) Fill in the gaps:

